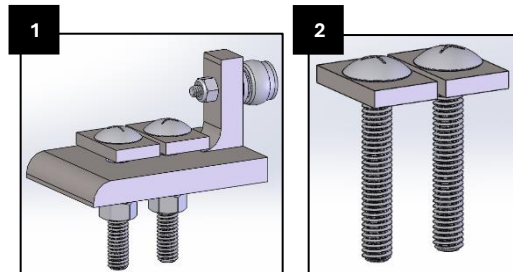


## Adjustable Bumper Installation Guide

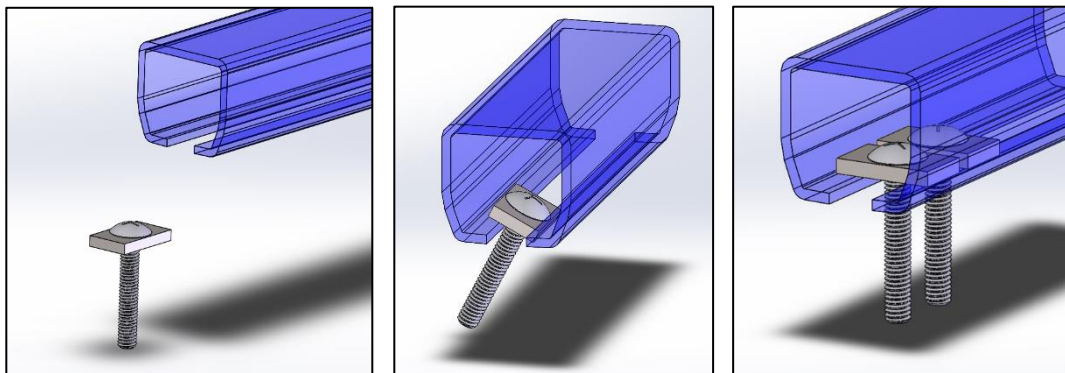
1) Starting with the full assembly of the adjustable bumper (01000), undo the hex nuts on the carriage bolts to take apart the assembly so it can be inserted into the track.



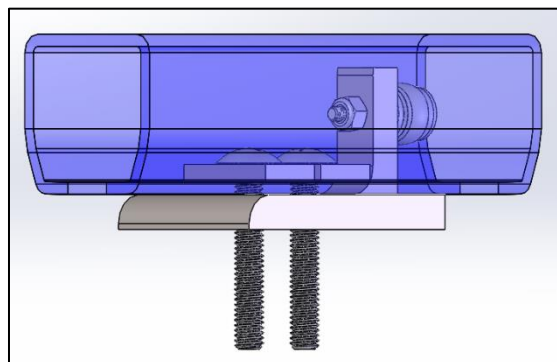
2) Re-assemble the bolt and rectangular plate together.

3) Insert the bolt with the rectangular plate into the track by tilting and turning it as illustrated in the provided images. Ensure that the longer side runs down the opening of the track, then turn it back so that the longer side runs between the tracks inside walls. Repeat for the second bolt.

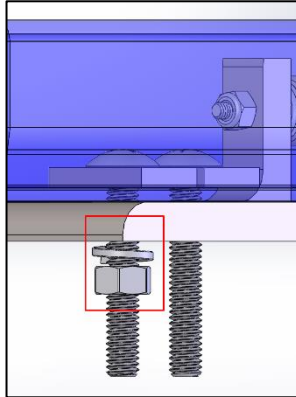
**Note:** Pull down on the bolt and confirm that the carriage bolt is flush with the rectangular plate.



4) Insert component into the track with the bottom as the flat side (shown in the image below). Ensure the holes align with the bolts. Tug the bolt to verify it is flush from the inside and not lifted.



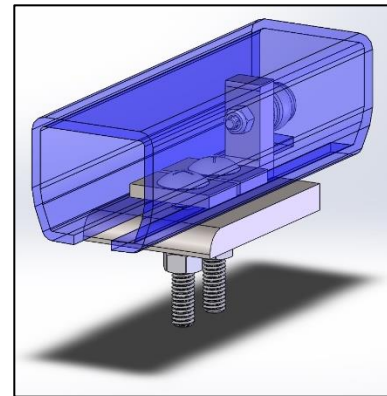
5) On one of the bolts, add the lock washer and hex nut, hand-tighten the nut for now, and repeat the steps for the second bolt.



6) Position the Bumper ASM as preferred and follow the guidelines below based on your Bumper size:

**Larger Bumper (P/N 01000):** Use a 3/8" torque wrench to tighten down the two nuts from the bottom to 23 ft-pounds.

**Smaller Bumper (P/N 0250):** Use a 5/16" torque wrench to tighten down the two nuts from the bottom to 17 ft-pounds.



**Your Bumper is Now Complete**

www.gorbel.com  
Phone: (585) 924-6262  
Toll Free Phone: (800) 821-0086  
© 2012 Gorbel Inc.  
All Rights Reserved