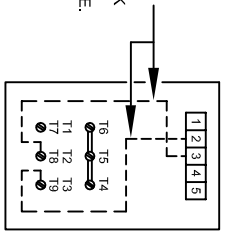
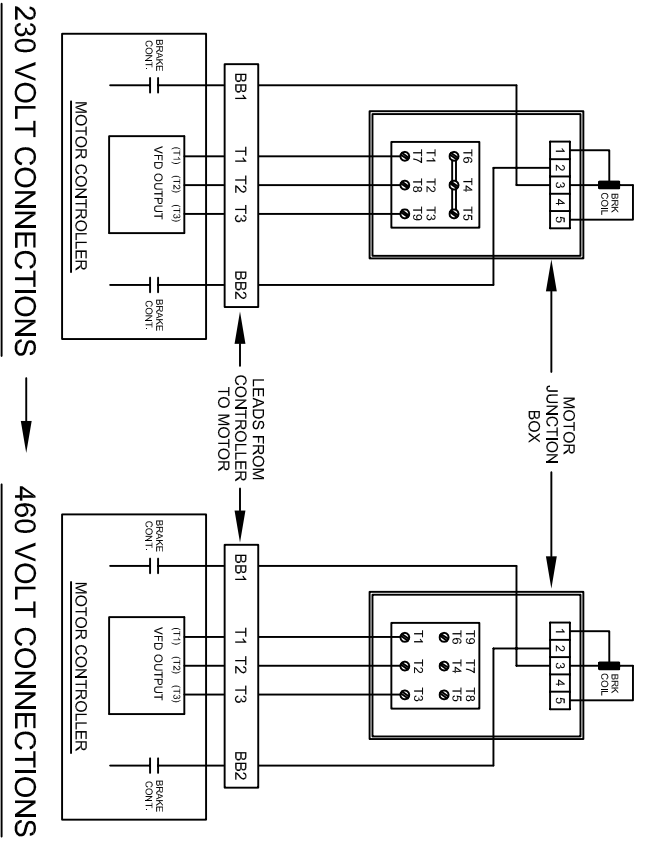


REMOVE BRAKE COIL LEADS FROM T<sup>1</sup> TERMINALS IN MOTOR JUNCTION BOX. MUST RUN BRAKE LEADS BACK TO BRAKE CONTACTOR LOCATED IN MOTOR CONTROLLER ENCLOSURE.



STEP ① REMOVE FACTORY INSTALLED BRAKE CONNECTIONS.

STEP ② CONNECT MOTOR LEADS IN ACCORDANCE WITH SYSTEM VOLTAGE.



# SEW MOTOR CONNECTION PROCEDURE